

# **PARTS CATALOG**

## **USB Interface Board-A3**

**Canon**

**Mar 17 2004**



## **PREFACE**

This Parts Catalog contains listings of parts used

Diagrams are provided with the listings to aid the service technician in identifying clearly, the item to be ordered.

Whenever ordering parts, consult this Parts Catalog for all of the information pertaining to each item. Be sure to include, in the Parts Request, the full item description, the item part number, and the quantity.

***COPYRIGHT (C) 1999 CANON INC.***

Use of this manual should be strictly supervised to avoid disclosure of confidential information.



# Contents

## Parts List Index

USB Interface Board-A3 ..... 1-1

## USB Interface Board-A3

G92 USB INTERFACE BOARD PCB ASSEMBLY ..... 2-1



# NUMERICAL INDEX

## USB Interface Board-A3

| PARTS NUMBER | FIGURE<br>&<br>KEY NO. | PARTS NUMBER | FIGURE<br>&<br>KEY NO. | PARTS NUMBER | FIGURE<br>&<br>KEY NO. |
|--------------|------------------------|--------------|------------------------|--------------|------------------------|
| FG3-3226-000 | G92 - 1                |              |                        |              |                        |
| NPN          | G92 -                  |              |                        |              |                        |
| XB6-7300-607 | G92 - 501              |              |                        |              |                        |





# **USB Interface Board-A3**

**F62-0208-000**



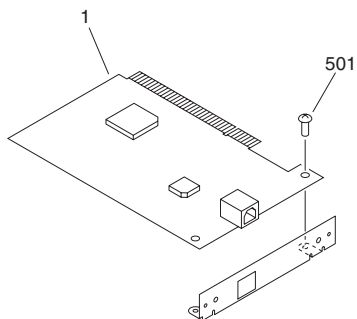
# Contents

|     |                                       |     |
|-----|---------------------------------------|-----|
| G92 | USB INTERFACE BOARD PCB ASSEMBLY..... | 2-1 |
|-----|---------------------------------------|-----|



# FIGURE G92

## USB INTERFACE BOARD PCB ASSEMBLY



| FIGURE & KEY NO. | PARTS NUMBER | RANK | QTY | DESCRIPTION                   | SERIAL NUMBER/REMARKS | SVC |
|------------------|--------------|------|-----|-------------------------------|-----------------------|-----|
| Fig.G92          | NPN          |      | RF  | USB INTERFACE BOARD PCB ASS'Y |                       |     |
| 1                | FG3-3226-000 |      | 1   | USB-D2 PCB ASSEMBLY           |                       |     |
| 501              | XB6-7300-607 |      | AR  | SCREW,TP,M3X6                 |                       |     |



Prepared by  
OFFICE IMAGING PRODUCTS QUALITY ASSURANCE CENTER  
CANON INC.

**Canon**